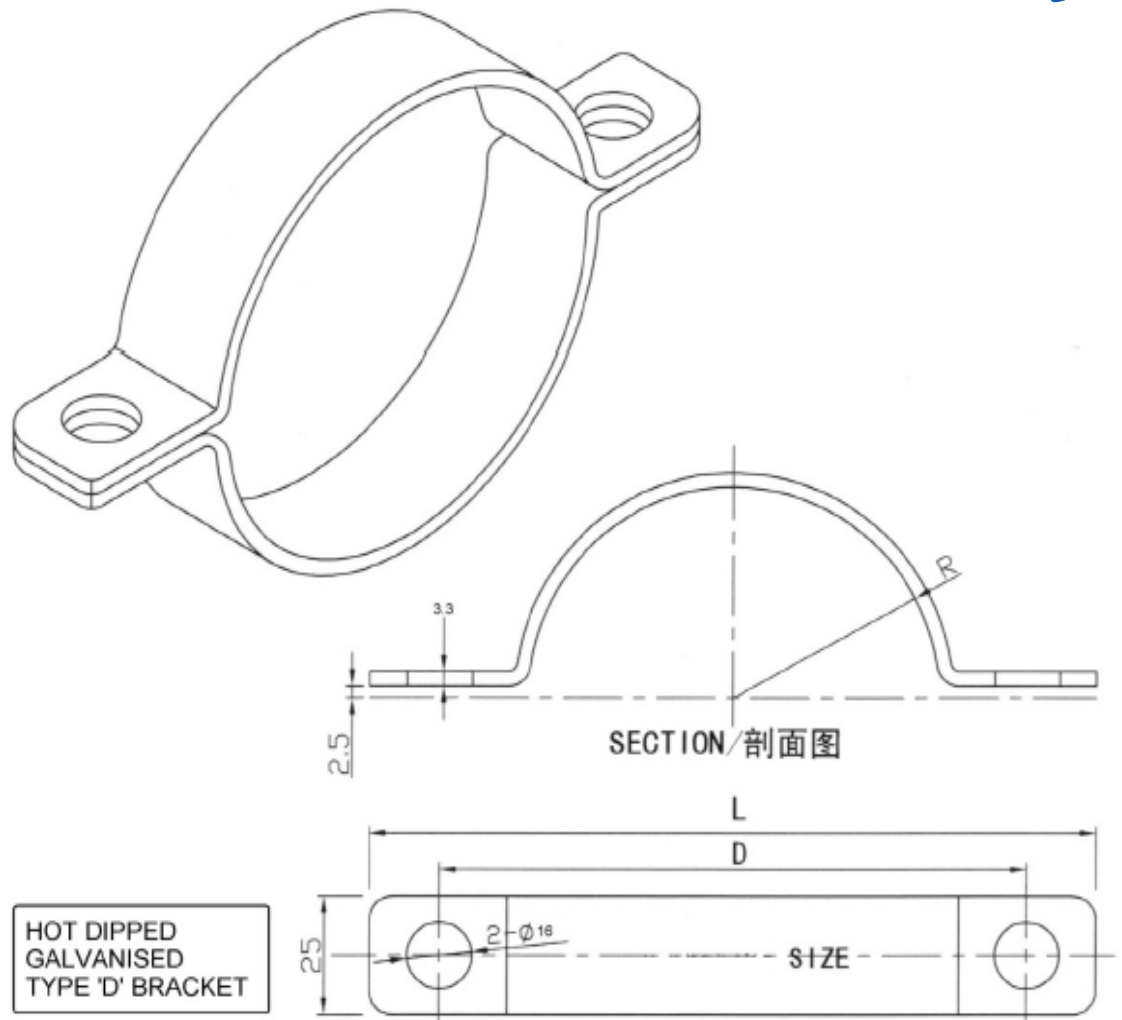


# ZINC PLATED GALVANISED IRON TYPE 'D' CLAMP

## D' 型管夹



### SPECIFICATIONS OF MATERIAL

Material:	ZINC COATED GALVANISED IRON
Unit:	each set consists of clamp only

### DIMENSIONS

SIZE in mm (inches)	R	L	D	thickness	2 Ø	Width
	sizes in MM					
2" - 50mm	30.3	127.0	97.0	3.3 - 3.5	12.0	25.0
2½" - 65mm	38.0	143.0	113.0	3.3 - 3.5	12.0	25.0
3" - 75mm	44.5	157.0	127.0	3.3 - 3.5	12.0	25.0
4" - 100mm	57.0	177.0	147.0	3.3 - 3.5	12.0	25.0
6" - 150mm	82.5	229.0	199.0	3.3 - 3.5	12.0	25.0
8" - 200mm	108.0	281.0	251.0	3.3 - 3.5	12.0	25.0

\* Larger sizes up till 300mm also available