



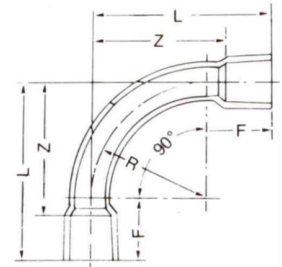
**LONG
BEND**

AE & AW STANDARDS

Generally used for cable laying purposes, long bends gives users a more allowance and flexibility with larger radius. Long Bends comes generally in 90°, 45° and 22½° for the following standards:

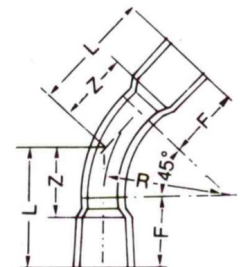
90° long bend

Size (diameter - mm)	Dimensions (mm)			
	L	Z	F	R (radius)
20	110	72	45	65
25	142	99	52	90
30	179	132	56	123
40	205	154	62	143
50	248	182	76	172
75	365	293	120	245
100	445	353	145	300
150	695	555	195	500
200	1350	1100	350	1000



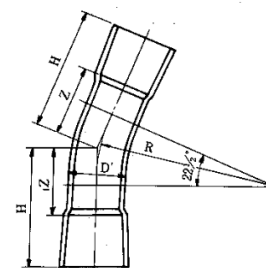
45° long bend

Size (diameter - mm)	Dimensions (mm)			
	L	Z	F	R (radius)
20	75	38	45	65
25	91	48	52	90
30	107	60	56	123
40	121	70	62	143
50	147	81	76	172
75	221	149	120	245
100	269	177	145	300
150	402	262	195	500
200	600	500	310	700



22.5° long bend

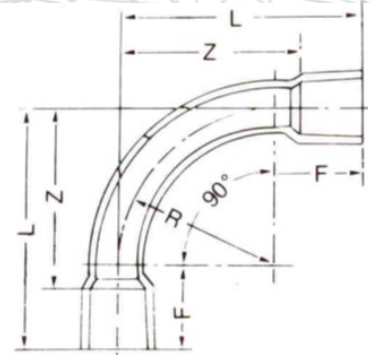
Size (diameter in mm)	Z	H	R (radius)
100	200	300	2500
150	200	350	2500



**SS141 CLASS B
STANDARD**

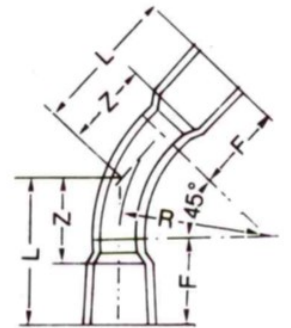
90° long bend

Size (diameter - mm)	Dimensions (mm)			
	L	Z	F	R (radius)
50	147	81	76	172
50 – R300	269	177	76	300
75	221	149	120	245
100	269	177	145	300
100 – R500	402	262	145	500
150	402	262	195	500
200	600	500	310	700



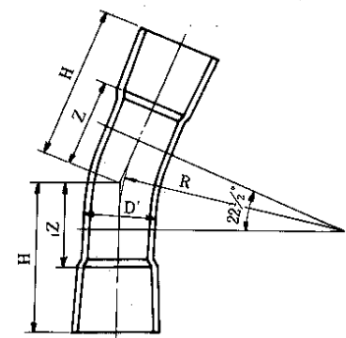
45° long bend

Size (diameter - mm)	Dimensions (mm)			
	L	Z	F	R (radius)
50	147	81	76	172
75	221	149	120	245
100	269	177	145	300
150	402	262	195	500
200	600	500	310	700



22.5° long bend

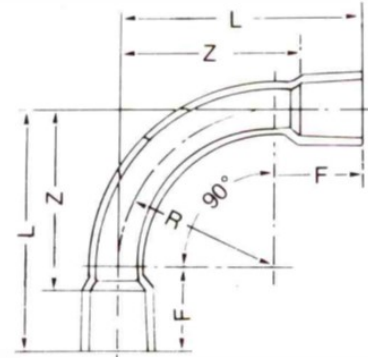
Size (diameter in mm)	Z	H	R (radius)
100	200	300	2500
150	200	350	2500



**SS272 (Telecom)
STANDARD**

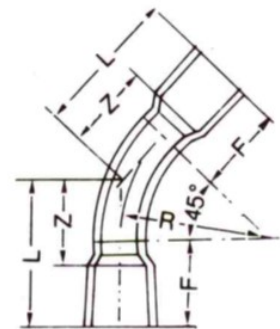
90° long bend

Size (diameter - mm)	Dimensions (mm)			
	L	Z	F	R (radius)
110	269	177	145	300
110 – R500	402	262	145	500



45° long bend

Size (diameter - mm)	Dimensions (mm)			
	L	Z	F	R (radius)
110	269	177	145	300



22.5° long bend

Size (diameter - mm)	Dimensions (mm)		
	Z	H	R (radius)
110	200	300	2500

