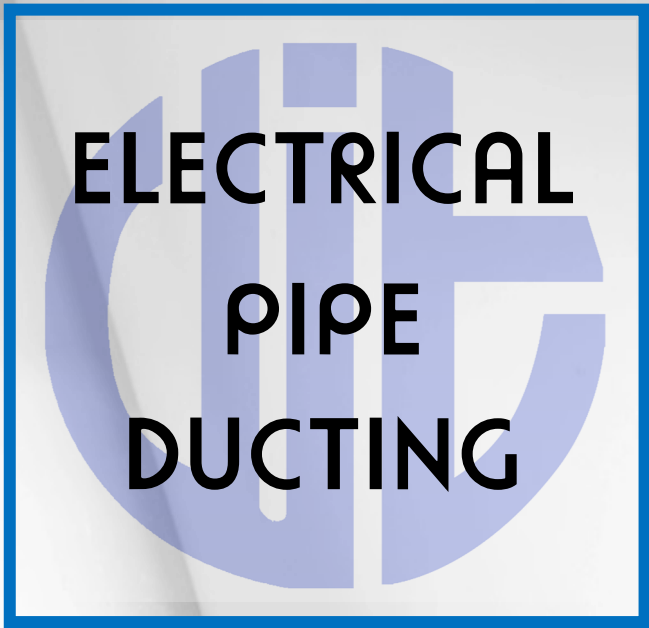
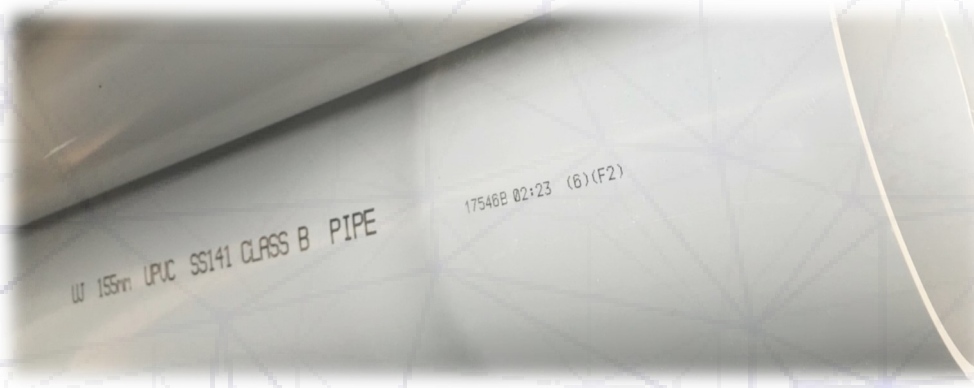


UJ 155m PUC SS141 CLASS B PIPE

17546B 02:23 (6) (F2)





**SS141
CLASS B & C
PIPES**

Brand:



The SS141 Class B & C uPVC pipes are equivalent to BS3505 standards.

This series of pipes are categorized into various classes, with each class for different purposes. They come in a range of thickness to meet different construction needs.

Pipe Standard	Maximum Working Pressure
Class B (PN6)	0.6 Mpa (6 kgfcm ²)
Class C (PN9)	0.9 Mpa (9 kgfcm ²)
*1 kgfcm ² = 1 bar	

These pipes are most commonly used as cable conduits as they have excellent insulating and dielectric properties. They also serve as an economical and practical alternative in the infrastructure sector.

A popular range is the Class B pipes mainly used by Singapore Power (SP Group) and Land Transport Authority for laying cables that power lamp-posts.

They are manufactured in standards lengths of 6m and in grey, with one ended bell-mouth for easy installation.

Nominal Size		Outside Diameter		Class B Thickness		Class C Thickness	
inches	mm	MIN (mm)	MAX (mm)	mm		mm	
2	50	60.2	60.5	-	-	2.5	3.0
3	80	88.7	89.1	2.9	3.4	3.5	4.1
4	100	114.1	114.5	3.4	4.0	4.5	5.2
6	155	168.0	168.5	4.5	5.2	6.6	7.6
8	200	218.8	219.4	5.3	6.1	7.8	9.0
10	250	272.6	273.4	6.6	7.6	9.7	11.2
12	300	323.4	324.2	7.8	8.9	11.5	13.2
Standard Length: 6m							



SS272
TELECOM
PIPES

Brand:



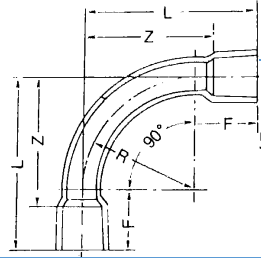
SS272 telecom pipes comes in grey colour and in lengths of 6m.

They are recommended for use by the telecommunication authorities for island-wide telephone and cable-networking. The durability, non-corrosive and di-electric nature of uPVC pipes makes it ideal for this use.

Nominal Size		Outside Diameter		Thickness
inches	mm	MIN (mm)	MAX (mm)	mm
4	110	110.0	110.4	3.2
Standard Length: 6m				



90° LONG BEND

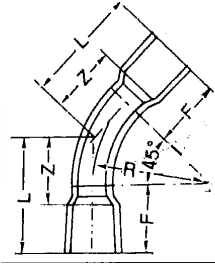


CABLE CONDUIT FITTINGS

Nominal Diameter (mm)

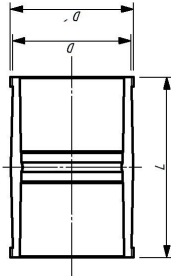
50 / 50 (R300)	75	100 / 100 (R500)	150	200
-------------------	----	------------------------	-----	-----

45° LONG BEND



50	75	100	150	200
----	----	-----	-----	-----

SOCKET



50	75	100
----	----	-----

END PLUG



110 (TAS use)	155
---------------------	-----

CABLE COVER PLATE



Raised letter embossing:

DANGER LT CABLE

or

DANGER HT CABLE

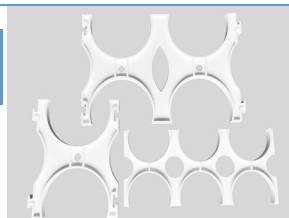
120	150	172	272
X	X	X	X
1M	1M	1M	1M

NYLON ROPE



4MM X
200M

SPACERS

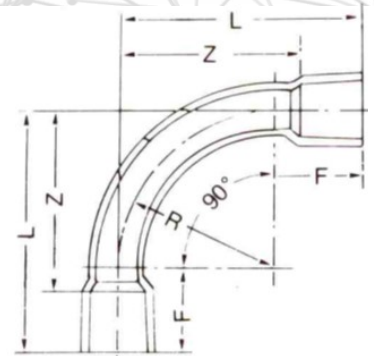


13	16	20	25
----	----	----	----

**SS141 CLASS B
STANDARD**

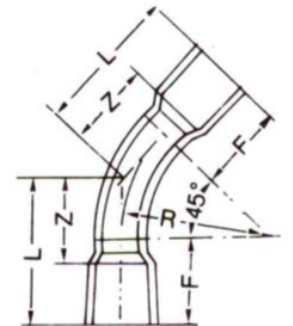
90° long bend

Size (diameter - mm)	Dimensions (mm)			
	L	Z	F	R (radius)
50	147	81	76	172
50 – R300	269	177	76	300
75	221	149	120	245
100	269	177	145	300
100 – R500	402	262	145	500
150	402	262	195	500
200	600	500	310	700



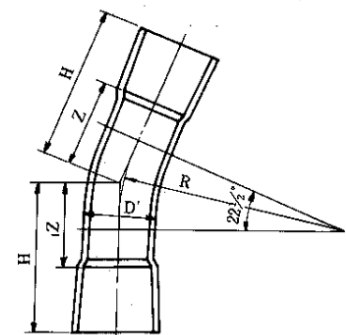
45° long bend

Size (diameter - mm)	Dimensions (mm)			
	L	Z	F	R (radius)
50	147	81	76	172
75	221	149	120	245
100	269	177	145	300
150	402	262	195	500
200	600	500	310	700



22.5° long bend

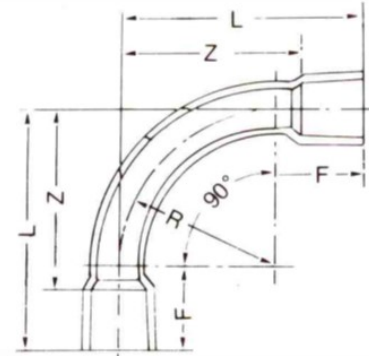
Size (diameter in mm)	Z	H	R (radius)
100	200	300	2500
150	200	350	2500



**SS272 (Telecom)
STANDARD**

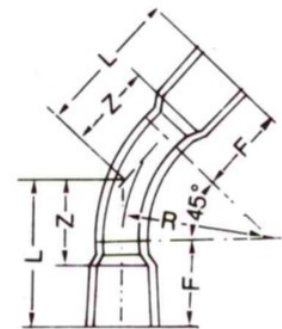
90° long bend

Size (diameter - mm)	Dimensions (mm)			
	L	Z	F	R (radius)
110	269	177	145	300
110 – R500	402	262	145	500



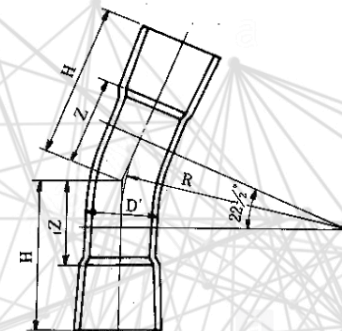
45° long bend

Size (diameter - mm)	Dimensions (mm)			
	L	Z	F	R (radius)
110	269	177	145	300



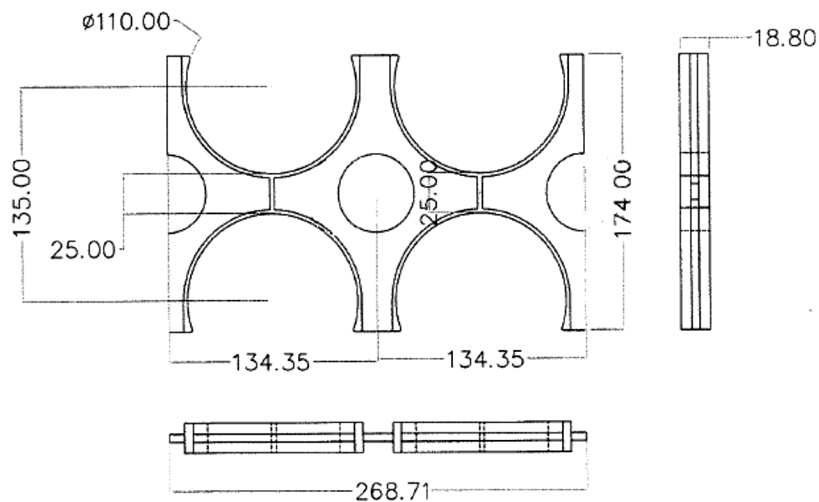
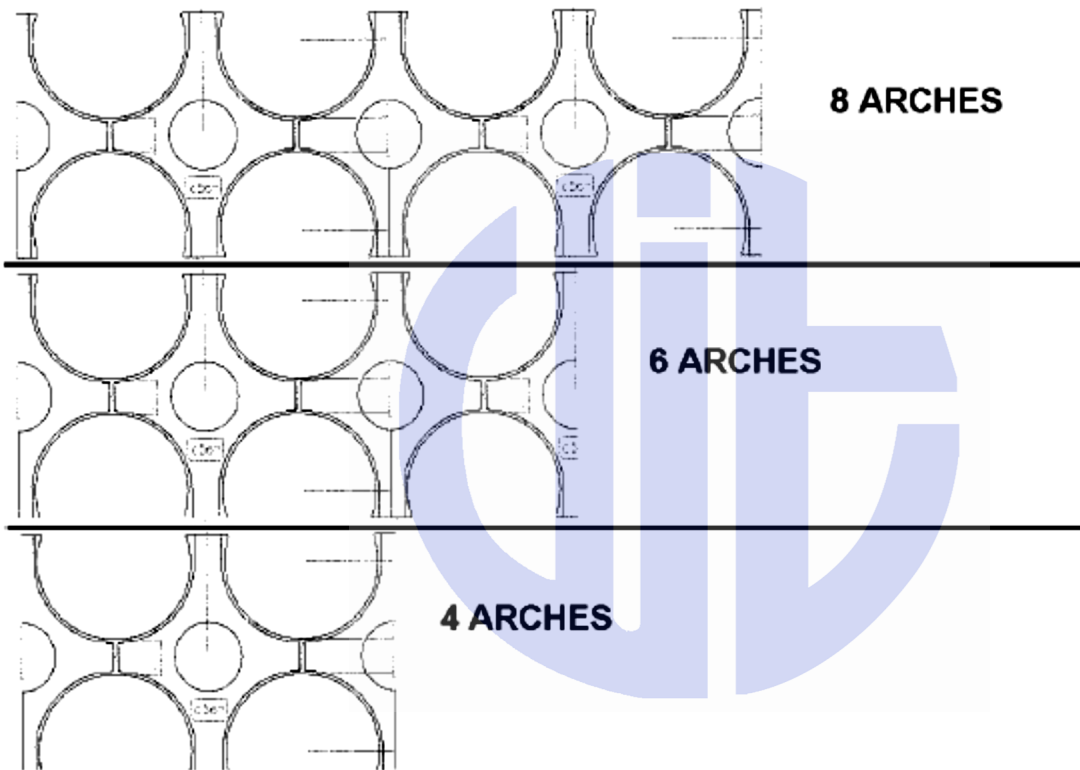
22.5° long bend

Size (diameter - mm)	Dimensions (mm)		
	Z	H	R (radius)
110	200	300	2500

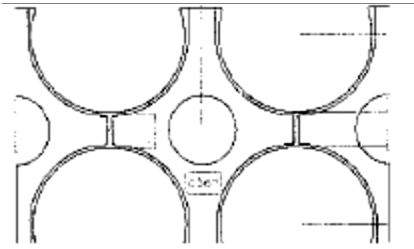


CABLE
PIPE
SPACERS

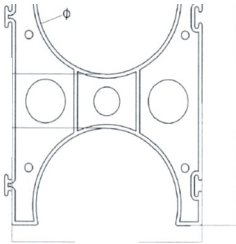
4" SS141 Class B / 110mm Telecom Spacers



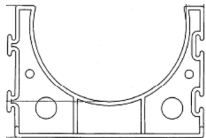
[6" SS141 Class B / 155mm Telecom Spacers]



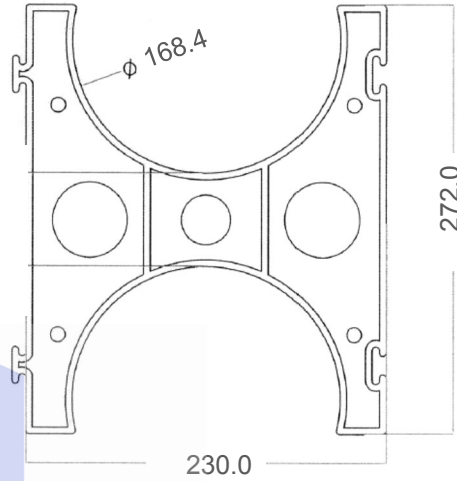
4 ARCHES



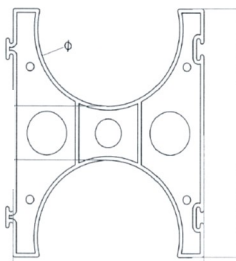
CENTRE TYPE



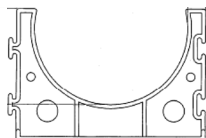
BASE TYPE



[8" AE / SS141 CLASS B Spacers]



CENTRE TYPE



BASE TYPE

