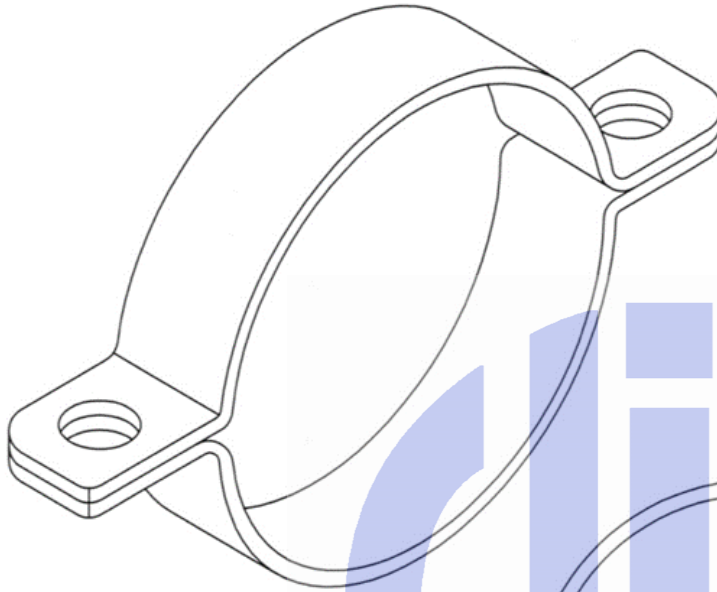
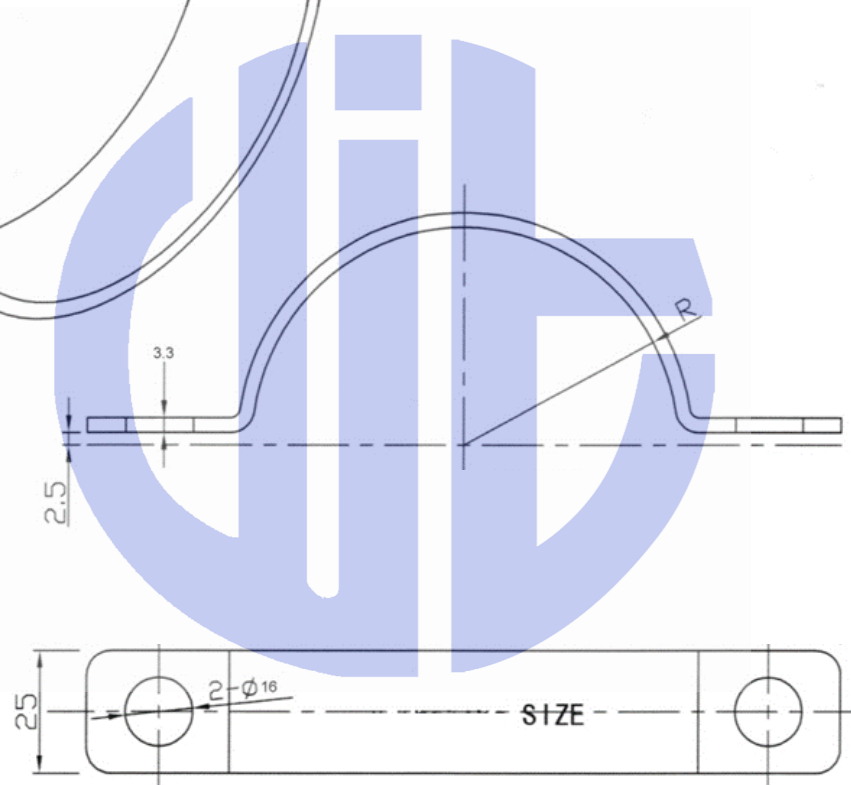


ZINC-COATED GALVANISED IRON

TYPE 'D' CLAMP



Material:	Zinc-coated Galvanised Iron
Unit:	each set consists of clamp only



SIZE in mm (inches)	R	thickness	2 ϕ	Width
	sizes in MM			
2" - 50mm	32.0	3.0 - 3.5	12.0	25.0
2½" - 65mm	39.0	3.0 - 3.5	12.0	25.0
3" - 75mm	46.0	3.0 - 3.5	12.0	25.0
4" - 100mm	58.0	3.0 - 3.5	12.0	25.0
5" - 125mm	72.0	3.5 - 4.0	12.0	25.0
6" - 150mm	85.0	3.5 - 4.0	12.0	25.0
8" - 200mm	110.0	4.5 - 5.0	12.0	25.0
10" - 250mm	137.0	4.5 - 5.0	12.0	25.0
12" - 300mm	163.0	4.5 - 5.0	12.0	25.0