

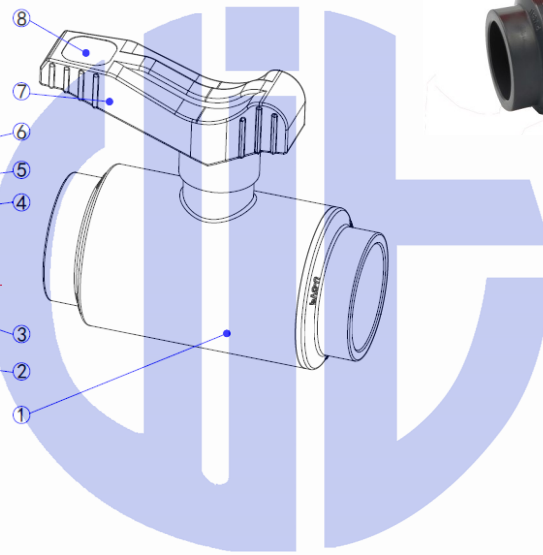
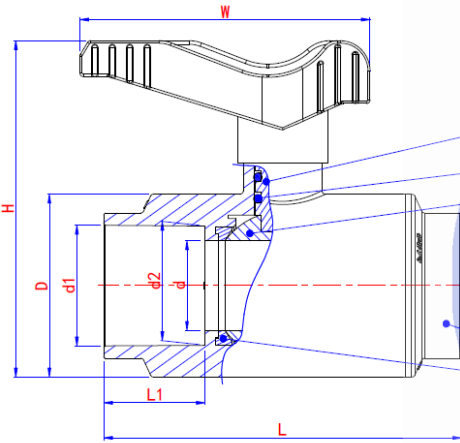


**JIS  
STANDARDS  
UPVC VALVE  
FITTINGS**

# 5G COMPACT BALL VALVE

SPECIFICATIONS OF MATERIALS		
No	PART	MATERIAL
1	BODY	UPVC
2	SEAT	TPV
3	UNION NUT	UPVC
4	BALL	UPVC
5	O-RING	EPDM
6	STEM	UPVC
7	HANDLE	ABS
8	CAP	ABS

SIZE (mm / inches)	d1		d2		L1	L	D	H	W
	ANSI	DIN	ANSI	DIN					
16 / ½"	21.54	20.30	21.23	20.10	22.50	78.00	35.50	68.00	66.20
20 / ¾"	26.87	25.30	26.57	25.10	25.50	88.20	41.50	74.00	66.20
25 / 1"	33.65	32.30	33.27	32.10	29.00	102.50	51.00	94.00	83.00
30 / 1¼"	42.42	40.30	42.04	40.10	31.80	116.0	61.00	101.30	83.00
40 / 1½"	48.56	50.30	48.11	50.10	35.00	134.00	78.50	125.30	109.00
50 / 2"	60.63	63.30	60.17	63.10	38.00	149.50	92.50	137.50	109.00



### New 5G Compact Ball Valve

New replaceable ergonomic handle. Significant reduction of the torque.



Joint end connected with body by glue or threads, sealing performance is excellent.

### Old Compact Ball Valve

Fragile handle susceptible of breaking. Excessive torque force in larger sizes.



VS

★ easy to operate ergonomic handle

★ handle is replaceable

★ handle could be hanged up to avoid aging & mess

★ good to fit the piping on the wall

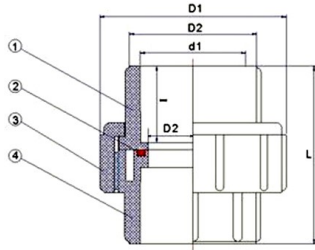


JIS k6741 AE / AW

SPECIFICATIONS OF MATERIAL		
NO	PART	MATERIAL
1	END CONNECTOR	PVC, CPVC
2	O-RING	EPDM, FPM (NBR)
3	UNION NUT	PVC, CPVC
4	BODY	PVC, CPVC

END CONNECTOR	THREADED/SOCKET
WORKING PRESSURE	150 PSI

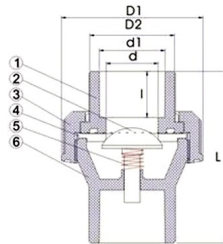
# UNION



SIZE (mm / inches)	JIS d1	d2	D2	D1	I	L
	(in mm)					
16 / ½"	22	14	29.2	50.6	20.5	48
20 / ¾"	26	19	34.5	56.7	22	53.6
25 / 1"	32	24	42.6	66.5	28	43
30 / 1¼"	38	32	52	81	230	72.6
40 / 1½"	48	40	59	86.8	34.5	85
50 / 2"	60	56	72.1	105.8	40	103
65 / 2½"	76	60	90	129	40	109
75 / 3"	89	80	103.5	145.5	48	125.5
100 / 4"	114	100	132.5	175	60	160

END CONNECTOR	THREADED/SOCKET
WORKING PRES-SURE	150 PSI

# SPRING CHECK VALVE



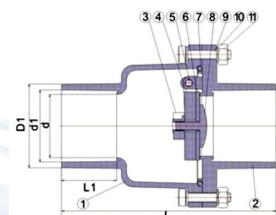
SPECIFICATIONS OF MATERIAL		
NO	PART	MATERIAL
1	UNION CONNECTOR	PVC
2	GATE	PVC
3	UNION NUT	PVC
4	SPACE SEAL	EPDM, FPM (NBR)
5	SPRING	STAINLESS STEEL
6	BODY	PVC

SIZE (mm / inches)	JIS d1	d	D2	D1	I	L
	(in mm)					
25 / 1"	32	24	41.5	73.7	28	96
30 / 1¼"	38	32	51.6	86.8	30	105
40 / 1½"	48	40	60.9	102	34.7	115.5
50 / 2"	60	49.8	75	119.8	40	141

SPECIFICATIONS OF MATERIAL					
NO	PART	MATERIAL	NO	PART	MATERIAL
1	EXIT BODY	PVC	7	O-RING	EPDM, FPM (NBR)
2	ENTRANCE BODY	PVC	8	SHEET GASKET HOLDER	PVC
3	GATE NUT	PVC	9	BOLT	GRADE 304 S/ STEEL
4	DISK	PVC	10	WASHER	GRADE 304 S/ STEEL
5	PIN	GRADE 304 S/ STEEL	11	NUT	GRADE 304 S/ STEEL
6	SHEET GAS-KET	EPDM, FPM (NBR)			

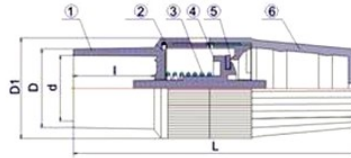
# SWING CHECK VALVE

SIZE (mm / inches)	JIS d1	d	D1	L1	L	N- Ø
	(in MM)					
65 / 2½"	76	68.3	89	58	226.2	8
75 / 3"	89	83	103.6	73	264.4	8
100 / 4"	114	101	131.6	90	358	8

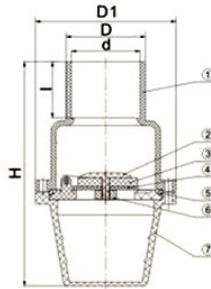


# FOOT VALVE

SPECIFICATIONS OF MATERIAL		
NO	PART	MATERIAL
1	BODY	PVC
2	CONNECTOR	EPDM, FPM (NBR)
3	SPRING	STAINLESS STEEL
4	GATE	PVC
5	SEAL	EPDM, FPM (NBR)
6	BODY	PVC



END CONNECTOR	THREADED/SOCKET
WORKING PRESSURE	150 PSI



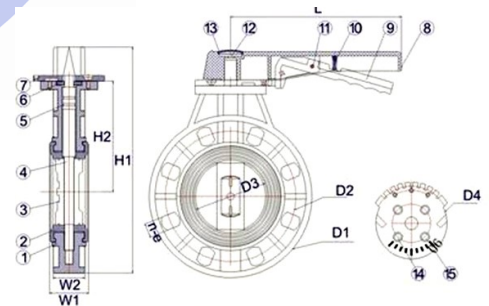
SIZE (mm / inches)	d	D	D1	l	L
	(in mm)				
25 / 1"	32	41.9	43.7	32.8	141
40 / 1½"	48	60.3	78	56	217.4
50 / 2"	60	72.5	78	57	217.4
65 / 2½"	76	90	171.6	73.5	293.4
75 / 3"	89	76.4	183.8	58.2	252
100 / 4"	114	115	216	91	360



# BUTTERFLY VALVE

SPECIFICATIONS OF MATERIAL					
no	PART	MATERIAL	no	PART	MATERIAL
1	BODY	PVC	9	SMALL HANDLE	ABS
2	SEAT SEAL	EPDM, FPM (NBR)	10	SPRING	STAINLESS STEEL
3	GATE	PVC	11	PIN	STAINLESS STEEL
4	STEM	STAINLESS STEEL	12	BOLT	STAINLESS STEEL
5	O-RING	EPDM, FPM (NBR)	13	HANDLE CAP	ABS
6	WASHER	ABS	14	INSERTED BOLT	STAINLESS STEEL
7	LOCKING PLATE	PVC	15	BOLT CAP	PVC
8	LARGE HANDLE	ABS			

END CONNECTOR	THREADED/SOCKET
WORKING PRESSURE	150 PSI



SIZE (mm / inches)	JIS D2	D1	D3	D4	L	H1	H2	W1	W2	JIS
	(in mm)									
50 / 2"	100	160.1	55.6	99	189.7	223.3	98.3	44.0	32.0	4 X 19
65 / 2½"	140	179.8	68.7	99	189.0	247.0	111.6	48.3	32.4	4 X 19
75 / 3"	140	195.0	83.9	99	238.5	282.6	132.5	51.9	36.3	4 X 19
100 / 4"	150	228.1	103.2	99	239.5	319.4	155.4	54.5	44.1	8 X 19
150 / 6"	240	285.4	151.1	140	309.8	400.8	187.5	73.1	56.4	8 X 22
200 / 8"	295	342.6	198.6	140	309.8	473.0	230.1	92.0	72.2	8 X 22

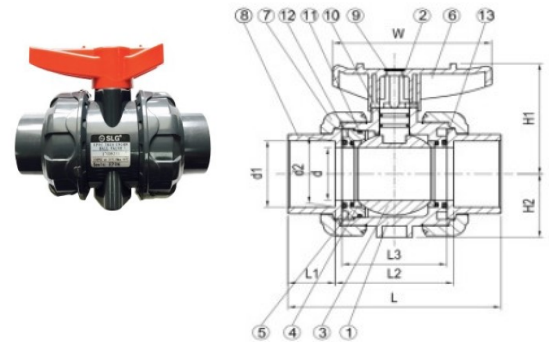


JIS k6741 AE / AW

SIZE (mm / inches)	JIS d1	d2	D	L	L1	L2	L3	W
	(in mm)							
16 / ½"	22.30	21.85	56.20	106.60	22.80	61.00	52.00	79.80
20 / ¾"	26.30	25.85	65.20	115.00	26.00	63.00	54.00	83.00
25 / 1"	34.50	31.85	75.20	129.20	29.00	71.20	62.00	98.00
30 / 1¼"	42.50	37.85	86.80	144.00	32.50	79.00	70.00	104.50
40 / 1½"	48.60	47.75	100.20	159.50	35.50	88.50	79.50	122.80
50 / 2"	60.60	59.75	120.20	173.00	38.50	96.00	85.00	128.90
65 / 2½"	76.70	75.87	152.40	277.80	64.50	148.80	134.00	189.20
75 / 3"	89.70	88.83	171.80	305.00	70.00	165.00	148.00	204.70
100 / 4"	115	113.98	192.60	352.00	84.50	183.00	157.00	238.10

## UNION BALL VALVE

END CONNECTOR	THREADED/SOCKET
WORKING PRESSURE	150 PSI



JIS k6741 AE / AW