



F300 GUTTERS & FITTINGS

We carry F300 gutters and the full range of accessories.

They come in white and grey and are made of uPVC. They can be painted over to achieve the colour of choice. They are also rust, fade and corrosion resistant for lasting durability. The high-capacity gutter channels and redirects rainwater to help prevent garden erosion and foundation damage. It is engineered to withstand harsh weather conditions. The gutter is maintenance free and cleans with a

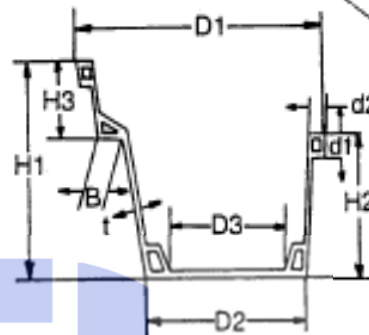
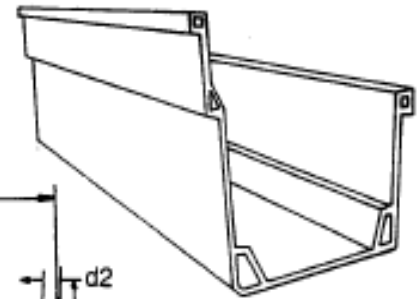


FIG.4 F-300 GUTTER

Dimension in mm

D1	D2	D3	t	H1	H2	H3	B	d1	d2
190	140	103	1.8	150	120	42	12	12	8

A	330
B	216
D1	114
D2	140
H1	320
H2	235

FIG.8 SPOUT HEAD
(INJECTION MOULDED F-300 SH INJ)

A	191
B	88
H1	152
H2	122

FIG.11 JOINER
(F-300 J)

A	191
B	237
H1	152
H2	122

FIG.13 MITRE JOINT (OUT)
(F-300 MJ 62 OUT)

A	191
B	12
H1	152
H2	122

FIG.10 END STOPPER
(F-300 ES)



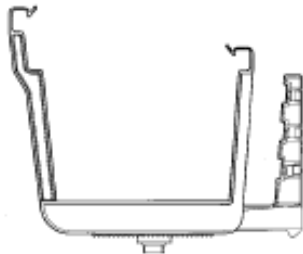


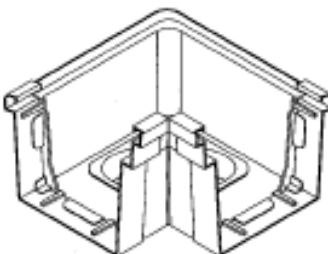


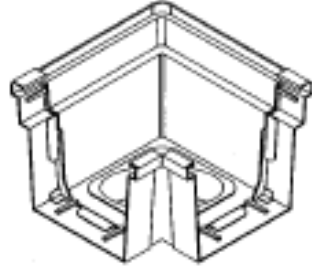
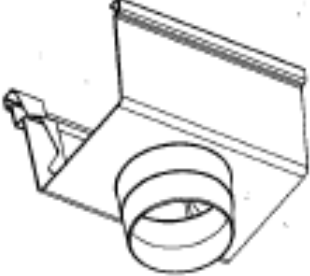
A	191
B	237
H1	152
H2	122

FIG.12 MITRE JOINT (IN)
(F-300 MJ 61 IN)

A	160
B	173
H1	151
H2	121
a	35
b	35

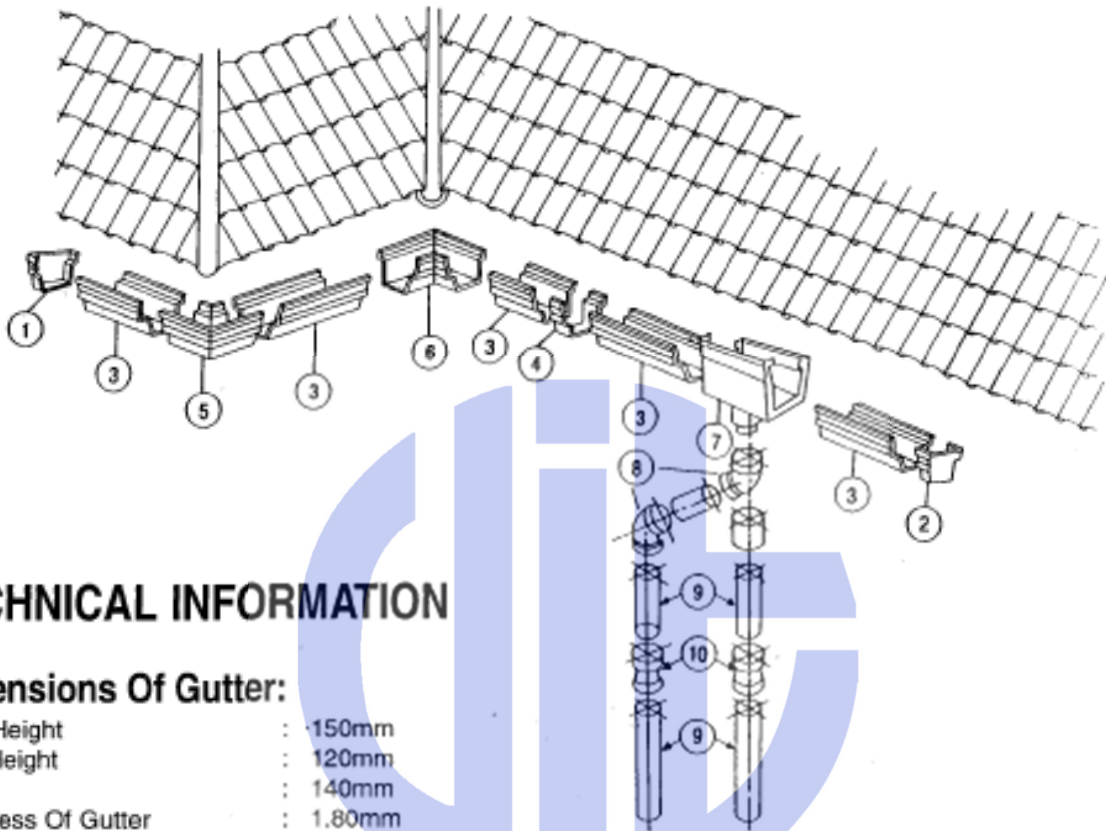
FIG.15 BRACKET TYPE B

F300 GUTTERS & FITTINGS

<p>F300 GUTTER</p> 	<p>BRACKET</p> 	<p>ADJUSTABLE BRACKET</p> 
<p>JOINER</p> 	<p>MITRE JOINT IN</p> 	<p>MITRE JOINT IN OUTLET</p> 
<p>END CAP</p> 	<p>MITRE JOINT OUT</p> 	<p>MITRE JOINT OUT OUTLET</p> 
<p>OUTLET</p> 		

F300 GUTTERS & FITTINGS

F-300 GUTTER COMPONENTS & TYPICAL INSTALLATION



TECHNICAL INFORMATION

Dimensions Of Gutter:

Front Height	: 150mm
Rear Height	: 120mm
Width	: 140mm
Thickness Of Gutter	: 1.80mm

Material Strength:

Tensile Strength	: > 45MPa
Elongation	: > 80%
Coefficient Of Expansion	: 7x10/c
Density	: 1.43g/cc
Flammability	: Self Extinguishing
Water Absorbtion	: < 0.1%
Painting	: Refer To Building Codes Compl.
Impact Resistance	

ITEM	DESCRIPTION
1	End Stopper (Right)
2	End Stopper (Left)
3	Gutter-4m
4	Joiner
5	Mitre Joint-Out
6	Mitre Joint-In
7	Spout-Head (Injection)
8	Elbow 80°
9	Down-Pipe-6m
10	Down-Pipe Joiner

F300 GUTTERS & FITTINGS

A UNIQUE PROFILE SYSTEM TO COMPLEMENT ANY HOME

The new clean profile of the F-300 complements any architectural style.



A STRONG & SIMPLE SYSTEM TO INSTALL

A similar shape to traditional galvanised styles, this system is a perfect replacement for people who wish to retain the existing look of their home, whilst enjoying the maintenance-free and long-life benefits of a uPVC rain gutter system.

