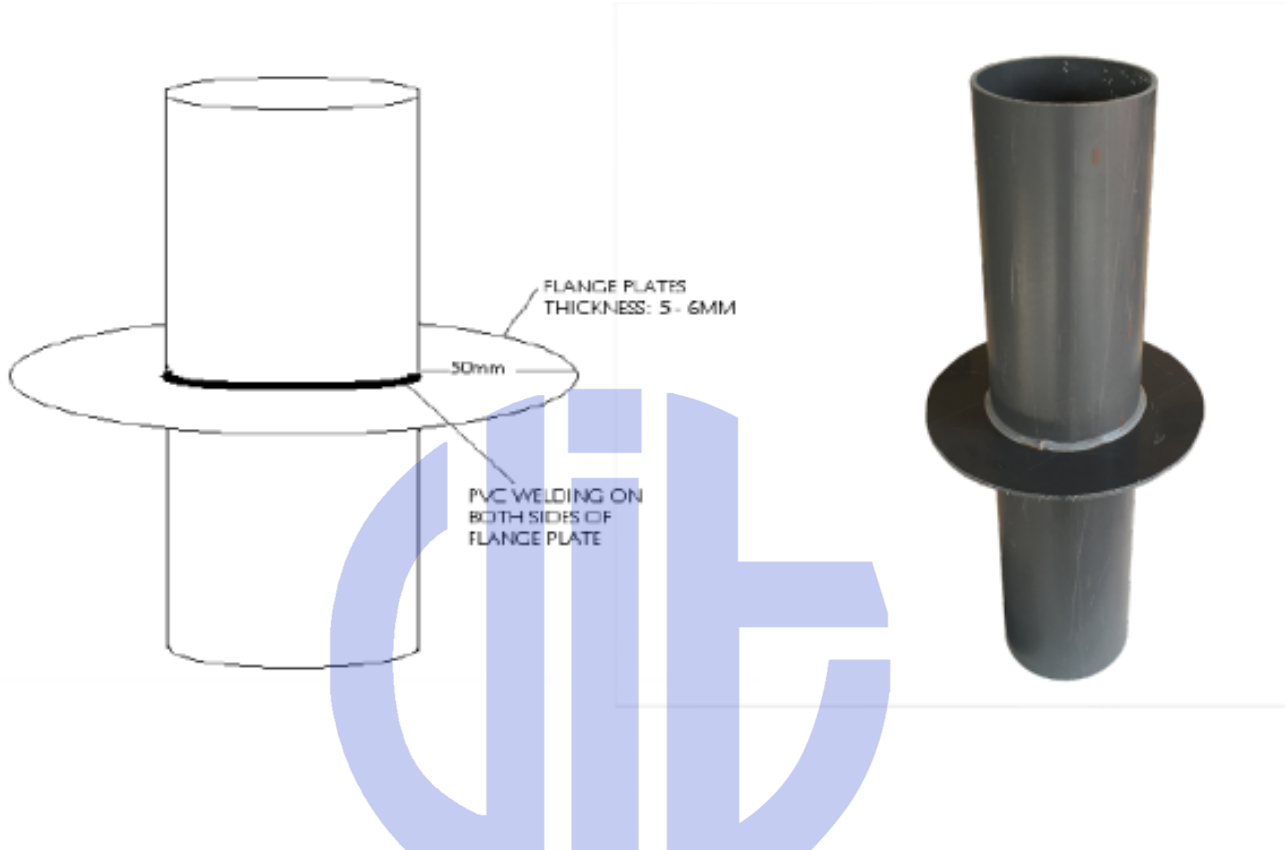


# uPVC Puddle Flange



|   | Pipe Sizes / nominal Ø |     | Pipe OD (mm) | Flange Plate OD (mm) | Specifications:   |
|---|------------------------|-----|--------------|----------------------|---|
|   | inches                 | mm  |              |                      |   |
| <b>PVC Puddle Flange Pipe for JIS K6741 AE / AW standards</b> | 2                      | 50  | 60           | 160                  | <ul style="list-style-type: none"> <li>• Puddle flange plate is 50mm all round circumventing pipe</li> <li>• Puddle flange plate thickness 5-6mm</li> <li>• PVC welding on both sides of PVC plate</li> <li>• (above specs are as standard unless otherwise specified by customer)</li> </ul> |
|   | 2½                     | 65  | 76           | 176                  |   |
|   | 3                      | 75  | 89           | 189                  |   |
|   | 4                      | 100 | 114          | 214                  |   |
|   | 5                      | 125 | 140          | 240                  |   |
|   | 6                      | 150 | 165          | 265                  |   |
|   | 8                      | 200 | 215          | 315                  |   |
|   | 10                     | 250 | 266          | 366                  |   |
|   | 12                     | 300 | 317          | 417                  |   |