



SINCE 1987

UNITRA JAYA

Cable pipes & fittings

SS141 CI B & C . SS272 Telecom

TABLE OF CONTENTS

- 03** CABLE PIPES
SS141 CLASS B & C . SS272 TELECOM
- 04** LONG BENDS
SS141 CLASS B
- 05** LONG BENDS
SS272 TELECOM
- 06** CABLE PIPING ACCESSORIES
SS141 CLASS B . SS272 TELECOM

SS141 CLASS B & C

Singapore Standard (SS) 141 Class B & Class C pipes standards of pipes are different in wall thickness and as such, usage purpose can be versatile. Class B has a working pressure of 6 bars and Class C, 9 bars.

However, these pipes are mostly used as cable conduits as they have good insulating and dielectric properties. These pipes are also an economical and practical alternative in the infrastructure sector.

Class B & C pipes are approved by and widely used by Public Utilities Board, Singapore Powers and Land Transport Authority in the laying of power cables.

These pipes come in grey and are socket-ended on one end for ease of connection to another length of pipe

SS272 TELECOM

comes in diameter 110mm for the use of telecommunication cabling networking.

It comes complete with its own range of fittings and accessories.

SS272 pipes are grey and is socket-ended on one end of the pipe.

The durability, non-corrosive and dielectric nature of PVC makes it ideal for this use.

(measurements in mm)

Nominal Diameter	Outside Diameter (OD)	Class B thickness	Class C thickness	Telecom thickness
50	60.2 - 60.5	-	2.5	-
75	88.7 - 89.1	2.9	3.5	-
100	114.1 - 114.5	3.4	4.5	-
150	168.0 - 168.5	4.5	6.6	-
200	218.8 - 219.4	5.3	7.8	-
250	272.6 - 273.4	6.6	9.7	-
300	323.4 - 324.2	7.8	11.5	-
110 Telecom	110	-	-	3.2

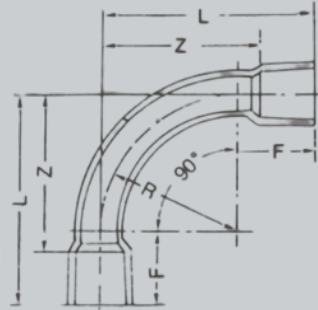




SS141 Class B Long Bend

In cable-laying underground, long bends provides for more allowance and flexibility with a larger radius. Long bends in AE standard and/or with special angles available upon request.

90 degree



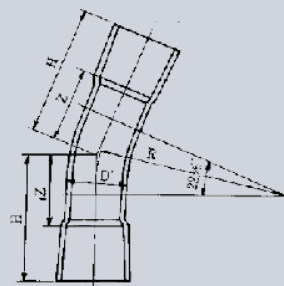
Size (mm)	Dimensions (mm)			
	L	Z	F	R (radius)
20	110	72	45	65
25	142	99	52	90
30	179	132	56	123
40	205	154	62	143
50	248	182	76	172
75	365	293	120	245
100	445	353	145	300
150	695	555	195	500
200	1350	1100	350	1000

45 degree



Size (mm)	Dimensions (mm)			
	L	Z	F	R (radius)
20	75	38	45	65
25	91	48	52	90
30	107	60	56	123
40	121	70	62	143
50	147	81	76	172
75	221	149	120	245
100	269	177	145	300
150	402	262	195	500
200	600	500	310	700

22.5 degree



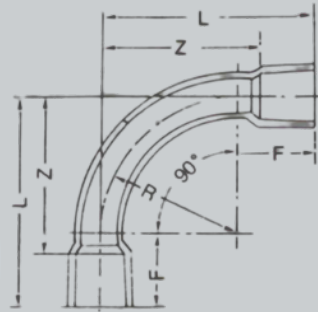
Size (mm)	Z	H	R (radius)
100	200	300	2500
150	200	350	2500



SS272 Telecom Long Bend

In cable-laying underground, long bends provides for more allowance and flexibility with a larger radius. Long bends with special angles available upon request.

90 degree



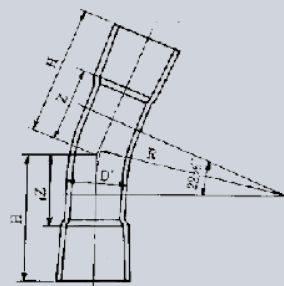
Size (mm)	Dimensions (mm)			
	L	Z	F	R (radius)
110	269	177	145	300
110 R500	402	262	145	500

45 degree



Size (mm)	Dimensions (mm)			
	L	Z	F	R (radius)
110	269	177	145	300

22.5 degree



Size (mm)	Dimensions (mm)		
	Z	H	R (radius)
110	200	300	2500

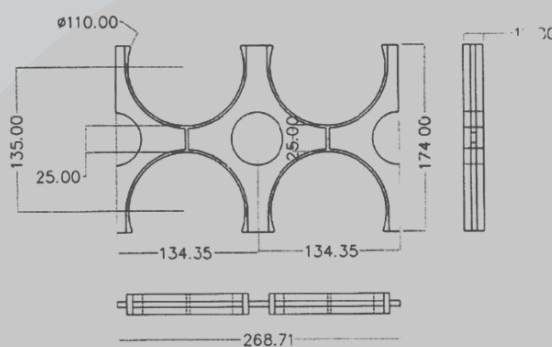
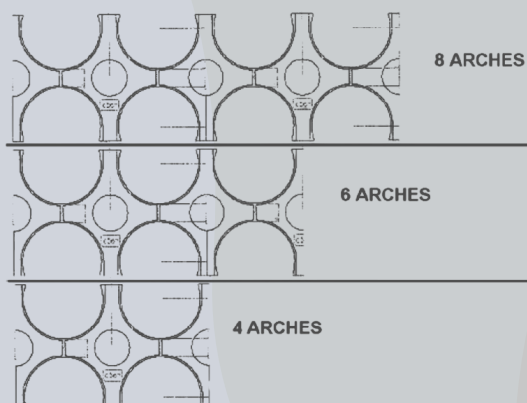


SS141 CLASS B & C
SS272 TELECOM

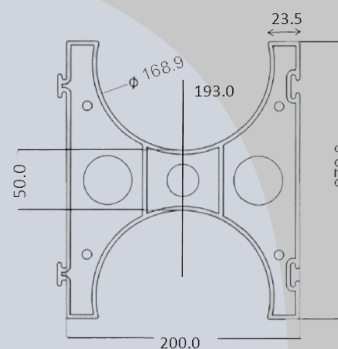
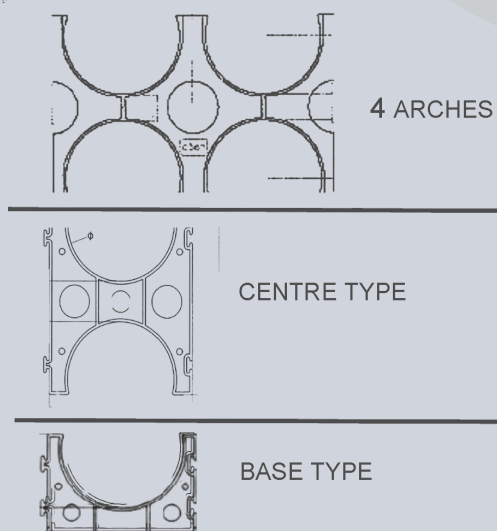
Pipe Spacers

Spacers allow for pipe organization and spacing in underground pipe-laying.

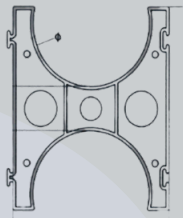
100mm SS141 Class B / 110mm Telecom Pipe Spacers



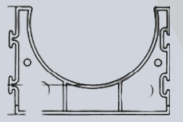
155mm SS141 Class B Pipe Spacers



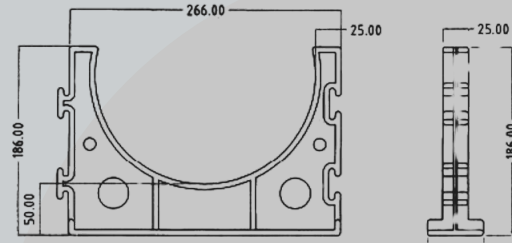
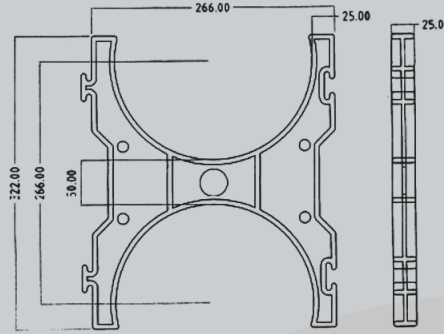
200mm AE / SS141 CLASS B Pipe Spacers



CENTRE TYPE



BASE TYPE



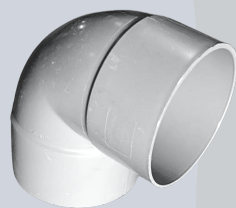
SS141 CLASS B & C
SS272 TELECOM

Socket

Joins cable pipes on plain ends

Sizes (mm)
110, 155mm

Colour
Grey



Elbow

Provides a 90deg joint on plain end of pipes

Sizes (mm)
110, 155mm

Colour
Grey



Cable Cover Plate

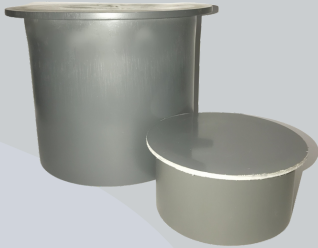
Used to provide marking and indication of cables within pipes.

Type
Angled / Flat

Colour
Yellow, black, red

Embossed Text
DANGER LT CABLE / DANGER HT CABLE (YELLOW & BLACK)
DANGER PL CABLE / DANGER TELECOM CABLE (BLACK ONLY)
CALL-LTA (RED ONLY)

Size
120mm x 1m (TAS use), 150mm x 1m, 172mm x 1m, 272mm x 1m



End Plug

Slotted into cable pipes to seal cable pipeline

Sizes (mm)
110, 155mm

Colour
Grey



Nylon Rope

Thickness x length
4, 5, 6mm x 2m

Colour
Green



Testing Mandrel

Mandrels are used to pull through ducts to prove joint and duct integrity of cable pipes or telecom pipes underground.

Sizes (mm)
110, 155mm

Length
450, 600mm

友利



UNITRA JAYA

CONTACT US:

T: 6748 2388

F: 6745 7133

E: sales@unitra.sg

W: www.unitrajaya.com