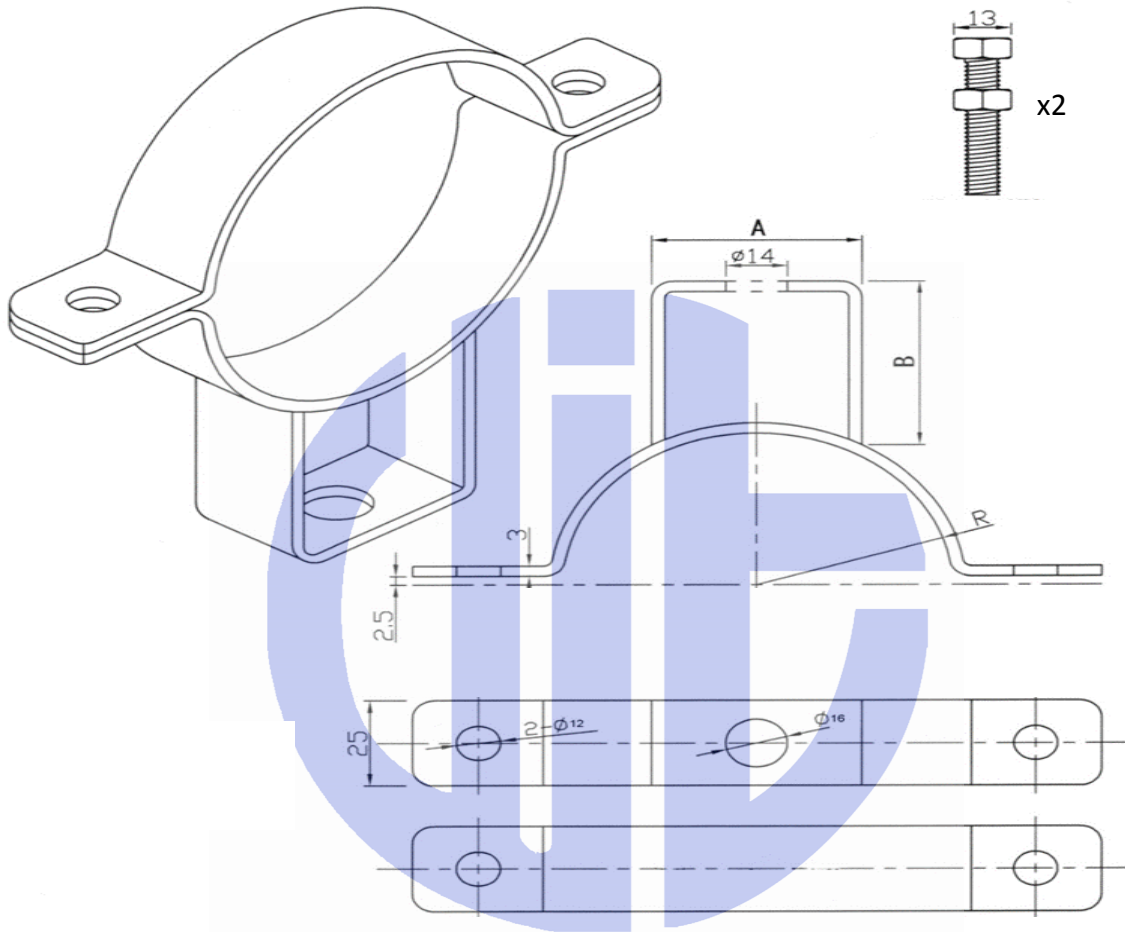


ZINC-COATED GALVANISED IRON TYPE 'C' CLAMP



Material:	Zinc-coated Galvanised Iron
Unit:	each set consists of clamp and 2 pcs of bolt and nuts

SIZE in mm (inches)	R	A	B	thickness	2 Ø	A bolt Ø	Width
	sizes in MM						
2" - 50mm	30.3	48.0	48.0	3.0 - 3.5	12.0	16.0	25.0
2½" - 65mm	38.0	48.0	48.0	3.0 - 3.5	12.0	16.0	25.0
3" - 75mm	44.5	48.0	48.0	3.0 - 3.5	12.0	16.0	25.0
4" - 100mm	57.0	71.0	45.0	3.0 - 3.5	12.0	16.0	25.0
5" - 125mm	70.5	84.0	45.0	3.5 - 4.0	12.0	16.0	25.0
10" - 250mm	137.0	100.0	45.0	4.5 - 5.0	12.0	16.0	25.0
12" - 300mm	163.0	102.0	45.0	4.5 - 5.0	12.0	16.0	25.0